

Delivering leading edge, innovative power solutions for more than **30** years....

Model:GT-F6100-10VV-FW

August 8, 2020

GT-F6100-10VV-FW

Information

Model Number	GT-F6100-10VV-FW
Description	GT-F6100-10VV-FW, Single Output Power supply, Open Frame/Internal, Regulated Switchmode AC-DC Power Supply AC Adaptor, , Input Rating: 100-240V~, 50-60 Hz, Molex 26-60-4030 3 Position Header Pin 1: Line, Pin 2: Removed, PIN 3: Neutral, Output Rating: 10 Watts, Power rating with convection cooling (W) , 5-48V in 0.1V increments, Approvals: EAC;
Model Picture	
Agency Documents	
CE EC-Declaration	https://www.globtek.com/pdf/ec_declaration/a000c00000PGM1zEAH
RoHS/RoHS2 Declaration	https://www.globtek.com/pdf/rohs_cert/a000c00000PGM1zEAH
REACH Declaration	https://www.globtek.com/pdf/iso_certificates/REACH.pdf
Conflict Minerals Declaration	https://www.globtek.com/pdf/conflict-minerals.pdf

Delivering leading edge, innovative power solutions for more than **30** years....

Model:GT-F6100-10VV-FW

August 8, 2020

MODEL PARAMETERS

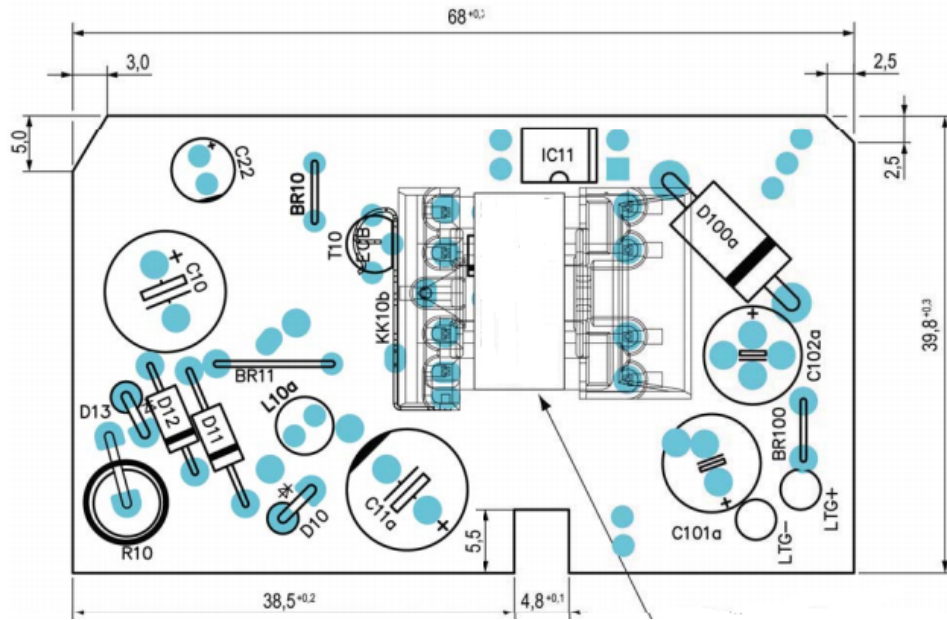
Type	Open Frame/Internal
Technology	Regulated Switchmode AC-DC Power Supply AC Adaptor
Category	Single Output Power supply
Input Voltage	100-240V~, 50-60 Hz
I/P Amps (A)	0.3 A
Wattage (W)	10.0
Vout Range (V)	5-48
Efficiency Level	N/A
Ingress Protection	N/A
Size (mm)	40mm x 68mm

Delivering leading edge, innovative power solutions for more than 30 years....

Model:GT-F6100-10VV-FW

August 8, 2020

ENCLOSURE



Delivering leading edge, innovative power solutions for more than **30** years....

Model:GT-F6100-10VV-FW

August 8, 2020

RATING TABLE

Model Number	Voltage	Amps(A)	Watts(W)	RFQ
GT-F6100-1010-FW	10 V	1	10.00	RFQ

Model:GT-F6100-10VV-FW

August 8, 2020

SPECIFICATIONS

A) ELECTRICAL SPECIFICATIONS:

01. Input Voltage: Specified 90-264 Vac, Nameplate rated: 100-240Vac
02. Input Frequency: Specified 47-63 Hz, Nameplate rated 50-60Hz
03. Output Regulation: +/- 5% measured at the output connector
04. Line Voltage Regulation: +/- 1% typical measures at full load
05. Output Ripple (Vp-p): 1% or 150 mV whichever is greater measured at 20 MHz bandwidth with 0.1 uf ceramic capacitor in parallel with 10 uf electrolytic capacitor connected at the end of output connector at nominal line
06. Turn-On/Turn-Off Overshoot: 5% maximum, 1mS typical recovery time for 25% step load
07. Turn-On Delay: 3 second typical
08. Hold-Up Time: 8mS typical @ nominal input voltage & full load
09. Inrush Current: 30A typical @ 115Vac input ; 60A typical @ 230Vac input
10. Switching Frequency: 66.5 KHz typical

B) PROTECTION

1. Over-Voltage: Protected via zener diode across the output
2. Short Circuit: Electronically Protected, unit will recover upon removal of fault
3. Input Protection: Input dual-fusing (for both line and neutral)

C) SAFETY

1. Dielectric Withstand Voltage: 5656 VDC from primary to secondary
2. Earth Leakage Current: N/A for Class II units, there is no PE Ground pin, so Earth Leakage current is not measured
3. Touch Current: Maximum allowed values: 100uA NC(Normal condition) 500uA SFC(single fault condition)
4. If Class 1 input is available, then simply attach the earth connection to the output system ground point. No earth connection is required at the power supply PCB.
5. Means of Protection: 2 x MOPP (Means Of Patient Protection)

D) OTHER:

1. MTBF: 200,000 hours @ 25°C ambient temperature
2. Operating Temperature: -10°C to 40°C ambient temperature, Convection Cooled. Higher ambient temperatures available with forced air cooling.
3. Humidity: 0% to 93% relative humidity, passed 7 day humidity testing per IEC 60601-1
4. Storage Temperature: -10°C to 80°C
5. RoHS 2: Complies with EU 2011/65/EU and China SJ/T 11363-2006

E) OPEN FRAME

01. Markings: Label

Delivering leading edge, innovative power solutions for more than **30** years....

Model:GT-F6100-10VV-FW

August 8, 2020

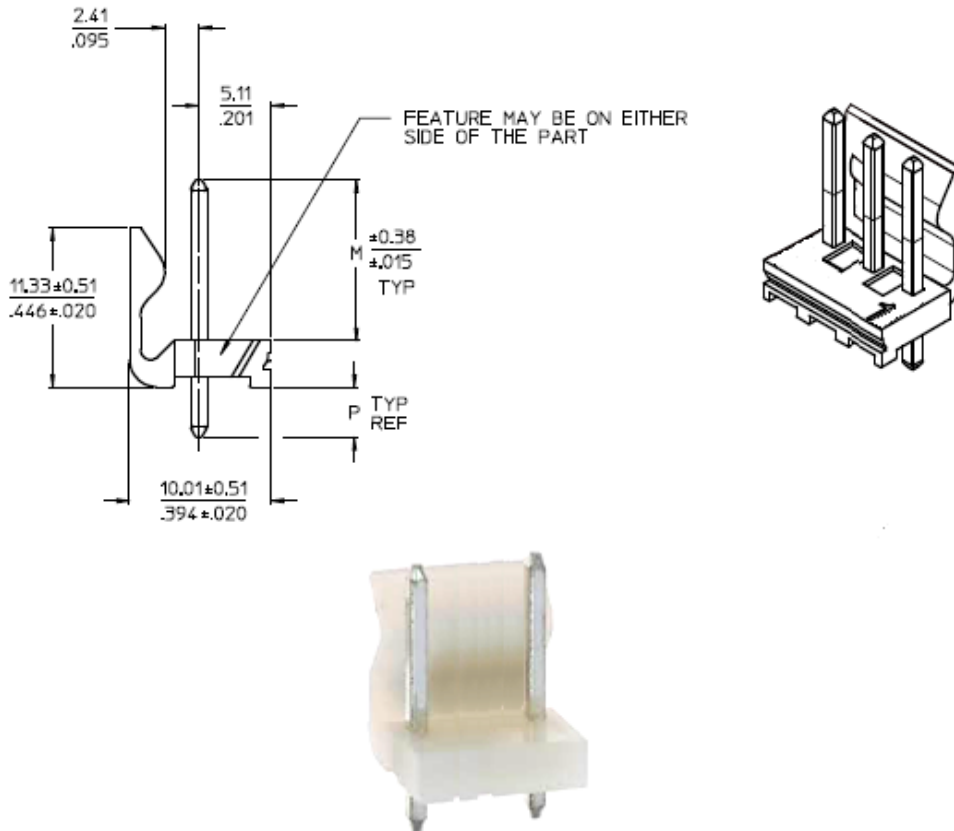
DERATING CURVE

Delivering leading edge, innovative power solutions for more than 30 years....

Model:GT-F6100-10VV-FW

August 8, 2020

INPUT CONFIGURATION

 Description Molex 26-60-4030 3 Position Header Pin 1: Line, Pin 2: Removed, PIN 3: Neutral


Optional Input Wiring Kits are available:

PN/Ordering No	Length	End A	End B
XHP410070M7MLX3(R)	70	JST XHP-4	Molex 09-93-0300
C810070M6MLX3(R)	60	IEC60320 C8	Molex 09-93-0300
C1410070M6MLX3(R)	60	IEC60320 C14	Molex 09-93-0300



Custom lengths, construction, cable types, ferrites, filters, and termination available upon request.

Delivering leading edge, innovative power solutions for more than **30** years....

Model:GT-F6100-10VV-FW

August 8, 2020

Approvals

Logo	Description
	Declaration ДС № ЕАЭС N RU Д-US.KA01.B.10453_19 Custom Union of Russia, Belarus and Kazakhstan http://www.globtek.com/redirect/?loc=gost-certificate-eac-declaration
	Morocco SDoC declaration http://www.globtek.info/certs/Morocco%20SDoC%20Declaration/