

Delivering leading edge, innovative power solutions for more than 30 years....

Model:GTD9X0240-24PD

May 18, 2021

GTD9X0240-24PD

Information

Model Number	GTD9X0240-24PD
Description	GTD9X0240-24PD, DC/DC Switching Power Supply, Vehicle/Car DC/DC Converter, DC-DC, , Input Rating: 12-24 Vdc, Lead Wire, Terminal :TE 2-520102-2, Output Rating: 24 Watts, Power rating with convection cooling (W) , 5-9V in 0.1V increments, Approvals: WEEE;

Model Picture



Agency Documents

CE EC-Declaration	https://www.globtek.com/pdf/ec_declaration/a0O3a00000MYTBTEA5
RoHS/RoHS2 Declaration	https://www.globtek.com/pdf/rohs_cert/a0O3a00000MYTBTEA5
REACH Declaration	https://www.globtek.com/pdf/iso_certificates/REACH.pdf
Conflict Minerals Declaration	https://www.globtek.com/pdf/conflict-minerals.pdf

Delivering leading edge, innovative power solutions for more than **30** years....

Model:GTD9X0240-24PD

May 18, 2021

MODEL PARAMETERS

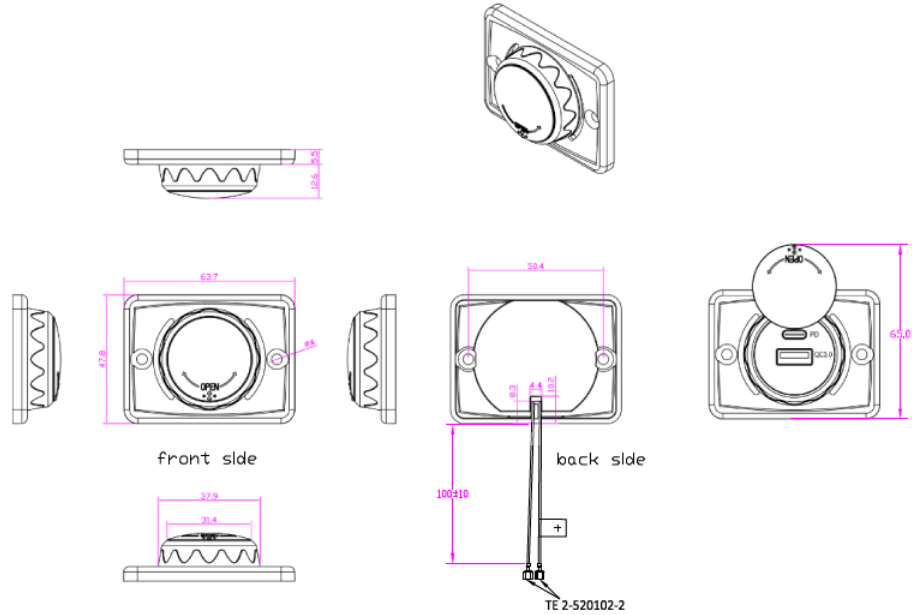
Type	Vehicle/Car DC/DC Converter
Technology	DC-DC
Category	DC/DC Switching Power Supply
Input Voltage	12-24 Vdc
I/P Amps (A)	2.5 A
Wattage (W)	24.0
Vout Range (V)	5-9
Efficiency Level	
Ingress Protection	
Size (mm)	63.7 x 47.8 x 18.1 mm

Delivering leading edge, innovative power solutions for more than 30 years....

Model:GTD9X0240-24PD

May 18, 2021

ENCLOSURE



Delivering leading edge, innovative power solutions for more than **30** years....

Model:GTD9X0240-24PD

May 18, 2021

RATING TABLE

Model Number	Voltage	Amps(A)	Watts(W)	RFQ
GTD9X0240-24PD	5 V	4.8	24.00	RFQ

Delivering leading edge, innovative power solutions for more than 30 years....

Model:GTD9X0240-24PD

May 18, 2021

SPECIFICATIONS

Input

Input Range 12 - 24VDC**Input Current** 2.5A (max) @ 12VDC & peak output current rating

Output

Output 5V3A / 9V2A /**Voltage/Current:** QC3.0 : 12V1.5A DC

5V2.4A / 9V2A

PD: VDC

Turn-on Delay: < 3 seconds**Output Regulation** '+/- 5% MEASURED AT O/P CONNECTOR(ONLY WHEN THE INPUT VOLTAGE >13V, WHEN INPUT VOLTAGE<13V, THERE WOULD BE ABOUT 1V DROP FROM INPUT TO OUTPUT AT 12V OUTPUT)**Line Regulation:** '+/- 1% TYPICAL MEASURED AT THE OUTPUT CONNECTOR(ONLY WHEN THE INPUT VOLTAGE >13V, WHEN INPUT VOLTAGE<13V, THERE WOULD BE ABOUT 1V DROP FROM INPUT TO OUTPUT AT 12V OUTPUT)**Ripple:** 1% OR 100 mV WHICHEVER IS GREATER. MEASURED AT 20 MHz BANDWIDTH WITH 0.1 µf CERAMIC CAPACITOR IN PARALLEL WITH 47 µf ELECTROLYTIC CAPACITOR CONNECTED AT THE END OF OUTPUT CONNECTOR AT NOMINAL LINE**Transient Response (Step Load):** 10% MAXIMUM, 1mS TYPICAL RECOVERY TIME FOR 25% STEP LOAD**INRUSH Current** 15A TYPICAL AT 24V INPUT

Protections

Input Protection: Input line fusing**Output Over-Current Protection:** Current limit**Over-Temperature Protection:** Thermal shutdown function

Delivering leading edge, innovative power solutions for more than **30** years....

Model:GTD9X0240-24PD

May 18, 2021

Environmental

MTBF: > 750,000 hours @ 50°C ambient (Demonstrated +
Telcordia SR-332, Issue 3)
> 1,500,000 hours @ 25°C ambient (Telcordia SR-332,
Issue 3)

Operating -20°C to 45°C (nominal load)

Temperature:

Storage -20°C to 85°C

Temperature:

Humidity: 0% to 95% relative humidity, non-condensing

Altitude 5000m

Cooling: Convection

RoHS: Complies with EU 2011/65/EU and China SJ/T 11363-2006

Enclosure

Housing: High impact plastic, 94V0 polycarbonate, non-vented

Markings: Adhesive backed label or laser engraving

Delivering leading edge, innovative power solutions for more than **30** years....

Model:GTD9X0240-24PD

May 18, 2021

DERATING CURVE

Delivering leading edge, innovative power solutions for more than **30** years....

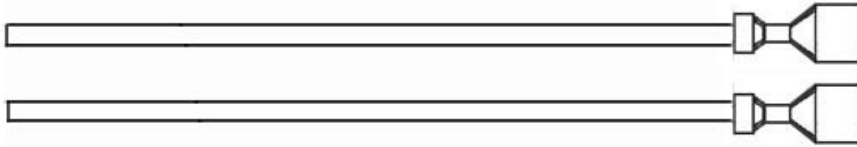
Model:GTD9X0240-24PD

May 18, 2021

INPUT CONFIGURATION

Description

Lead Wire, Terminal :TE 2-520102-2



Delivering leading edge, innovative power solutions for more than 30 years....

Model:GTD9X0240-24PD

May 18, 2021

OUTPUT CONFIGURATION

Common output connector options:


 L Type (Coaxial
5.5x2.5mm plug)

 C Type (Coaxial
5.5x2.1mm plug)

 K Type (Coaxial
3.5x1.3mm plug)

 LL Type (5.5x2.5mm
Locking 760k type)

 CL Type (5.5x2.1mm
Locking S761k type)

 ML2 Type (Molex
housing 43025-0200)

 YL3 Type
(KPPX-3P)


YL4 Type (KPPX-4P)


 EJ1/2/3/4/5 (EIAJ
RC-5320A type
connectors)

 MSB Type (Micro
USB)

 USBC Type (USB
Type C)

 Inquire for custom
design

 For a comprehensive list of options, [click here](#)

Contact GlobTek for your specific requirements or custom solutions.

Delivering leading edge, innovative power solutions for more than **30** years....

Model:GTD9X0240-24PD

May 18, 2021

Approvals

Logo	Description
	WEEE: Complies with EU 2012/19/EU (http://ec.europa.eu/environment/waste/weee/index_en.htm) Mark is on the label or Molded in the case