

Delivering leading edge, innovative power solutions for more than **30** years....

Model:GT-93020-0624

December 8, 2021

GT-93020-0624

Information

Model Number	GT-93020-0624
Description	GT-93020-0624, ICT/ITE Power Supply, DIN Rail, Regulated Switchmode AC-DC Power Supply AC Adaptor, , Input Rating: 16-34Vac, 50-60Hz, WAGO P/N: 734-132 (MCS-MINI SERIES 734 MALE 2 PINS), Output Rating: 6 Watts, Power rating with convection cooling (W) , 24V in 0.1V increments, Approvals: RoHS; LPS; China RoHS; Ukraine; WEEE;
Model Picture	.
Agency Documents	Pending
CE EC-Declaration	https://www.globtek.com/pdf/ec_declaration/a0Oa000000FiiUFEAZ
RoHS/RoHS2 Declaration	https://www.globtek.com/pdf/rohs_cert/a0Oa000000FiiUFEAZ
REACH Declaration	https://www.globtek.com/pdf/iso_certificates/REACH.pdf
Conflict Minerals Declaration	https://www.globtek.com/pdf/conflict-minerals.pdf

Delivering leading edge, innovative power solutions for more than **30** years....

Model:GT-93020-0624

December 8, 2021

MODEL PARAMETERS

Type	DIN Rail
Technology	Regulated Switchmode AC-DC Power Supply AC Adaptor
Category	ICT/ITE Power Supply
Input Voltage	16-34Vac, 50-60Hz
I/P Amps (A)	2.0A
Wattage (W)	6.0
Vout Range (V)	24
Efficiency Level	
Ingress Protection	IP21
Size (mm)	

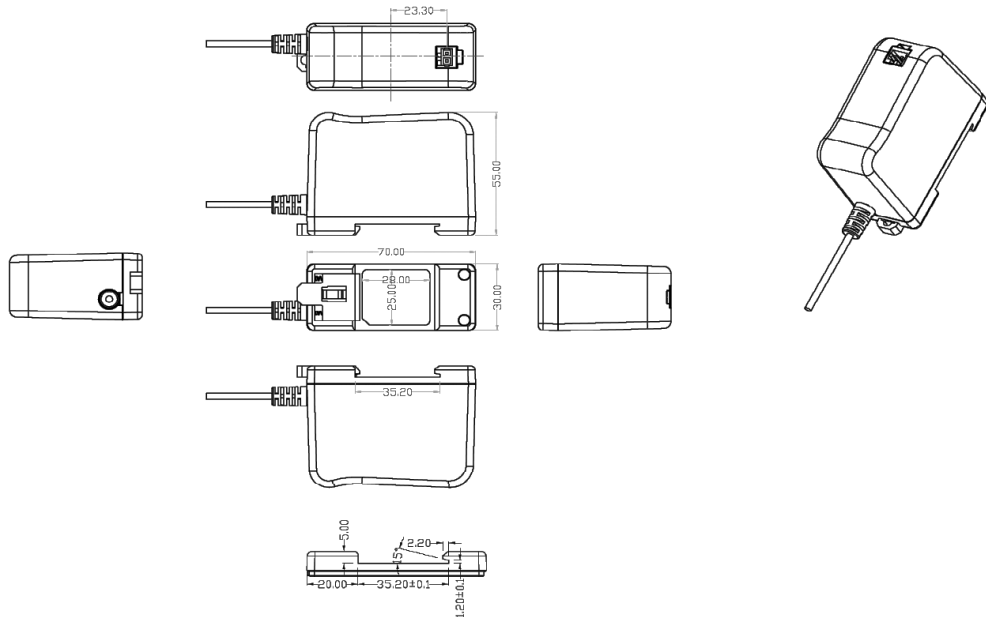
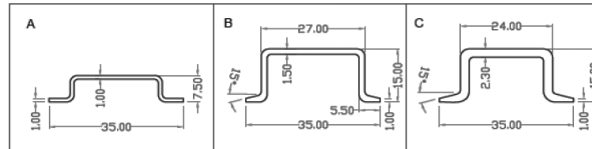
Delivering leading edge, innovative power solutions for more than 30 years....

Model:GT-93020-0624

December 8, 2021

ENCLOSURE

DIN RAIL: COMPLIANT WITH EN50022, 3 RAILS:



Delivering leading edge, innovative power solutions for more than **30** years....

Model:GT-93020-0624

December 8, 2021

RATING TABLE

Model Number	Voltage	Amps(A)	Watts(W)	RFQ
GT-93020-0624	24 V	0.25	6.00	RFQ

SPECIFICATIONS

01. Input Voltage: 16-34VAC
02. Input current: 2.0A RMS Max.
03. Input Frequency: Specified 47-63 Hz, Nameplate rated 50-60Hz
04. Output Voltage: 24 Vdc
05. Output current: 250 mA continuous, 1000 peak for 1mS repeating every 4 mS for the next 5 minutes
06. Output Power (rated): 6 Watts continuous, 24 Watts peak
07. Output Load Regulation: +/- 5% measured at the output connector
08. Line Voltage Regulation: +/- 1% typical measured at O/P connector
09. Output Ripple :240 mV p-p, At 20 MHz, bandwidth with 0.1uF ceramic capacitor in parallel with 10 uF, electrolytic capacitor connected at the end of output connect nominal line
10. Turn-ON/Turn-OFF overshoot: 5% maximum, 1 mS typical recovery time for 25% step load
11. Turn-ON Delay: 1 Second Max
12. Hold-Up Time: 20 mS hold-up time at rated power (2.4W/100mA) acceptance criteria 'A', 40 mS hold-up time when load equals (1.3W/56mA) acceptance criteria 'A'
13. Switching Frequency: 65 KHz typical
14. Efficiency: 75% MIN, measured at the full load, 24Vac Input

B) PROTECTION

01. Over-Voltage:protected with zener clamp across output
02. Short Circuit:protected, unit will recover upon removal of fault input line fusing

C) SAFETY

01. Dielectric Withstand Voltage: 2000 Vdc from primary to secondary
02. earth leakage: <3.5mA @ 34Vac input voltage
03. Ingress protection: IP21

D) OTHER:

01. MTBF: 200,000 Hours @ 25°C ambient temperature, 77,500 Hours at 45°C
02. Operating Temperature: -20°C to +65°C ambient temperature
03. Humidity: 0% to 90% relative humidity
04. Storage Temperature: -30°C to 70°C
05. RoHS 2: Complies with EU 2011/65/EU China SJ/T 11363-2006

E) ENCLOSURE

01. Housing: PC94-0 94-V0, Plastic material or equivalent
02. Size: 70.0*55.0*30.0 +/-1.0 mm
03. Weight: 80 g maximum
04. Markings: Label and/or Pad Printed and/or Molded in the case

Delivering leading edge, innovative power solutions for more than **30** years....

Model:GT-93020-0624

December 8, 2021

DERATING CURVE

N/A

Delivering leading edge, innovative power solutions for more than **30** years....

Model:GT-93020-0624

December 8, 2021

INPUT CONFIGURATION





Description	WAGO P/N: 734-132 (MCS-MINI SERIES 734 MALE 2 PINS)

Delivering leading edge, innovative power solutions for more than **30** years....

Model:GT-93020-0624

December 8, 2021

Approvals

Logo	Description
	CHINA SJ/T 11364-2014, China RoHS Chart: http://en.globtek.com/globtek-rohs.php
	Indoor Use Only - Mark is on the label or Molded in the case
LPS	Limited Power Source 60950
RoHS	Specifications of directive 2011/65/EU Annex VI (ROHS-2) with amendment 2015/863-EU (ROHS-3) http://www.ce-mark.com/Rohs%20final.pdf
 10276	Ukraine UKRSePro (Document: www.globtek.com/html/iso_certificates/GT_Ukraine.pdf)
	WEEE: Complies with EU 2012/19/EU (http://ec.europa.eu/environment/waste/weee/index_en.htm) Mark is on the label or Molded in the case