

Delivering leading edge, innovative power solutions for more than 30 years....

Model:GTA41077P150380-F

May 18, 2021

GTA41077P150380-F

Information

Model Number	GTA41077P150380-F
Description	GTA41077P150380-F, ICT/ITE Power Supply, Open Frame/Internal, Regulated Switchmode AC-DC Power Supply AC Adaptor, , Input Rating: 100-240V~, 50-60 Hz, Molex 09-65-2058 5 Position Header Pin 1: Earth, Pin 2: Removed, PIN 3: Neutral, Pin 4: removed, Pin 5: Line, Output Rating: 150 Watts, Power rating with convection cooling (W) , 12-48V in 0.1V increments, Approvals: RoHS; CE;
Model Picture	
Agency Documents	http://www.globtek.info/certs/GTA41077P/
CE EC-Declaration	https://www.globtek.com/pdf/ec_declaration/a00a000000JBOIPEAX
RoHS/RoHS2 Declaration	https://www.globtek.com/pdf/rohs_cert/a00a000000JBOIPEAX
REACH Declaration	https://www.globtek.com/pdf/iso_certificates/REACH.pdf
Conflict Minerals Declaration	https://www.globtek.com/pdf/conflict-minerals.pdf

Delivering leading edge, innovative power solutions for more than **30** years....

Model:GTA41077P150380-F

May 18, 2021

MODEL PARAMETERS

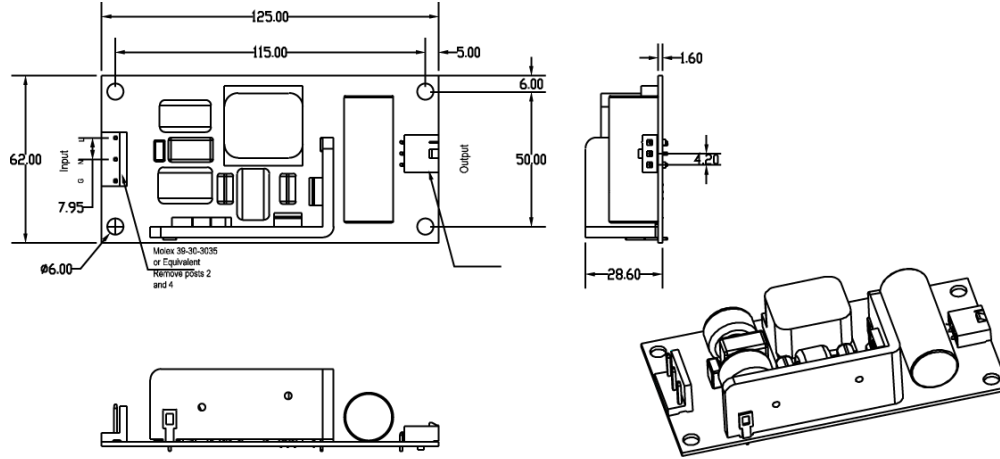
Type	Open Frame/Internal
Technology	Regulated Switchmode AC-DC Power Supply AC Adaptor
Category	ICT/ITE Power Supply
Input Voltage	100-240V~, 50-60 Hz
I/P Amps (A)	1.8 A
Wattage (W)	150.0
Vout Range (V)	12-48
Efficiency Level	N/A
Ingress Protection	
Size (mm)	173*72*38

Delivering leading edge, innovative power solutions for more than 30 years....

Model:GTA41077P150380-F

May 18, 2021

ENCLOSURE



Delivering leading edge, innovative power solutions for more than **30** years....

Model:GTA41077P150380-F

May 18, 2021

RATING TABLE

Model Number	Voltage	Amps(A)	Watts(W)	RFQ
GTA41077P10012-F	12 V	8.33	99.96	RFQ
GTA41077P12015-F	15 V	8	120.00	RFQ
GTA41077P12019-F	19 V	6.31	119.89	RFQ
GTA41077P12024-F	24 V	5	120.00	RFQ
GTA41077P12036-F	36 V	3.33	119.88	RFQ
GTA41077P12048-F	48 V	7.5	360.00	RFQ

SPECIFICATIONS

A) ELECTRICAL SPECIFICATIONS:

01. Input Voltage: 100-240 Vac
02. Input Current: 1.8 A RMS max
03. Input Frequency: 47 - 63 Hz
04. Output Regulation: +/- 10%, measured at the output connector
05. Line Voltage Regulation: +/- 1% typical measured at full load
06. Output Ripple (Vp-p): +/-2%, measured at 20 MHz bandwidth with 0.1 uf ceramic capacitor in parallel with 10 uf electrolytic capacitor connected at the end of the output connector
07. Turn-ON/OFF Overshoot: 5% maximum, 500 uS max recovery time for 25% to 50% step load
08. Turn-ON Delay: 3000 mS, maximum @ full load, nominal line
09. Hold-Up Time: 16 mS typical @ nominal input voltage and full load
11. Turn-on time: 3S AT 115V input at full load
12. Inrush Current: 40A maximum at cold start for N.A. (60A for Euro)
13. Switching Frequency: 100 KHz typical
14. Over-voltage protection: power supply not protected, system level protection is recommended
15. Over current /short circuit: power supply not protected, system level protection is recommended
16. Other protection: input fusing
17. Power factor; 0.95 min. at full load 230V input

B) PROTECTION

01. Over-Voltage: power supply not protected, system level protection is recommended
02. Short Circuit: power supply not protected, system level protection is recommended
03. Input Protection: Input line fusing

C) SAFETY

01. Dielectric Withstand Voltage: N/A, power supply is Non-Isolated
02. Earth Leakage Current: <0.25 mA at 240Vac input voltage
03. ROHS 2: Complies with EU 2011/65/EU and China SJ/T 11363-2006

D) OTHER:

01. MTBF: 200,000 Hours @ 25°C ambient temperature
02. Operating Temperature: 0°C to 40°C ambient temperature
03. Humidity: 0% to 90% relative humidity
04. Storage Temperature: -10°C to 80°C
05. Cooling: Convection

E) MECHANICAL

01. Housing: N/A, open frame
02. Size: 125.0 x 62.2 x 26.6 mm +/-1.0 mm
03. Markings: Label and/or Pad Printed on a component surface

Delivering leading edge, innovative power solutions for more than **30** years....

Model:GTA41077P150380-F

May 18, 2021

DERATING CURVE

Delivering leading edge, innovative power solutions for more than 30 years....

Model:GTA41077P150380-F

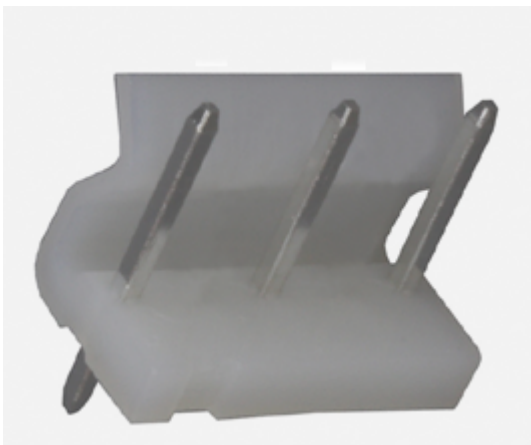
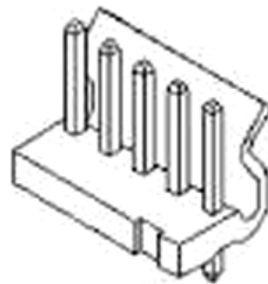
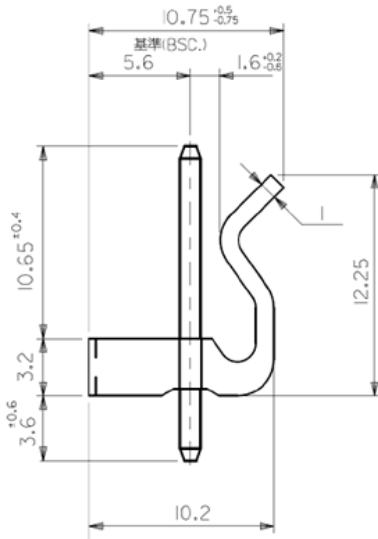
May 18, 2021

INPUT CONFIGURATION

Description Molex 09-65-2058 5 Position Header Pin 1: Earth, Pin 2: Removed, PIN 3: Neutral, Pin 4: removed, Pin 5: Line

Document: http://www.molex.com/pdm_docs/sd/009652058_sd.pdf

Catalog Page: http://www.molex.com/molex/products/datasheet.jsp?part=active/0009652058_PCB_HEADERS.xml



Mates With Part(s):





5195 SPOX™ Crimp Housing, 5239 KK® Crimp Housing

Delivering leading edge, innovative power solutions for more than **30** years....

Model:GTA41077P150380-F

May 18, 2021

Approvals

Logo	Description
	CE Certification
	Protective Earth (ground)
	Indoor Use Only - Mark is on the label or Molded in the case
RoHS	Specifications of directive 2011/65/EU Annex VI (ROHS-2) with amendment 2015/863-EU (ROHS-3) http://www.ce-mark.com/Rohs%20final.pdf
	UKCA Certification