


Delivering leading edge, innovative power solutions for more than 30 years....

Model:GT-83054-06VV-x.x-W2

August 8, 2020

GT-83054-06VV-x.x-W2

Information

Model Number	GT-83054-06VV-x.x-W2
Description	GT-83054-06VV-x.x-W2, ITE Power Supply, Wall Plug-in, Regulated Switchmode AC-DC Power Supply AC Adaptor, , Input Rating: 100-240V~, 50-60 Hz, NEMA 1-15P, North America Blades, Class II 2 Conductors, Output Rating: 6 Watts, Power rating with convection cooling (W) , 5-12V in 0.1V increments, Approvals: CE
Model Picture	
Agency Documents	http://www.globtek.info/certs/GT-81088/
CE EC-Declaration	https://www.globtek.com/pdf/ec_declaration/a0Oa000000LNSfLEAX
RoHS/RoHS2 Declaration	https://www.globtek.com/pdf/rohs_cert/a0Oa000000LNSfLEAX
REACH Declaration	https://www.globtek.com/pdf/iso_certificates/REACH.pdf
Conflict Minerals Declaration	https://www.globtek.com/pdf/conflict-minerals.pdf

Delivering leading edge, innovative power solutions for more than **30** years....

Model:GT-83054-06VV-x.x-W2

August 8, 2020

MODEL PARAMETERS

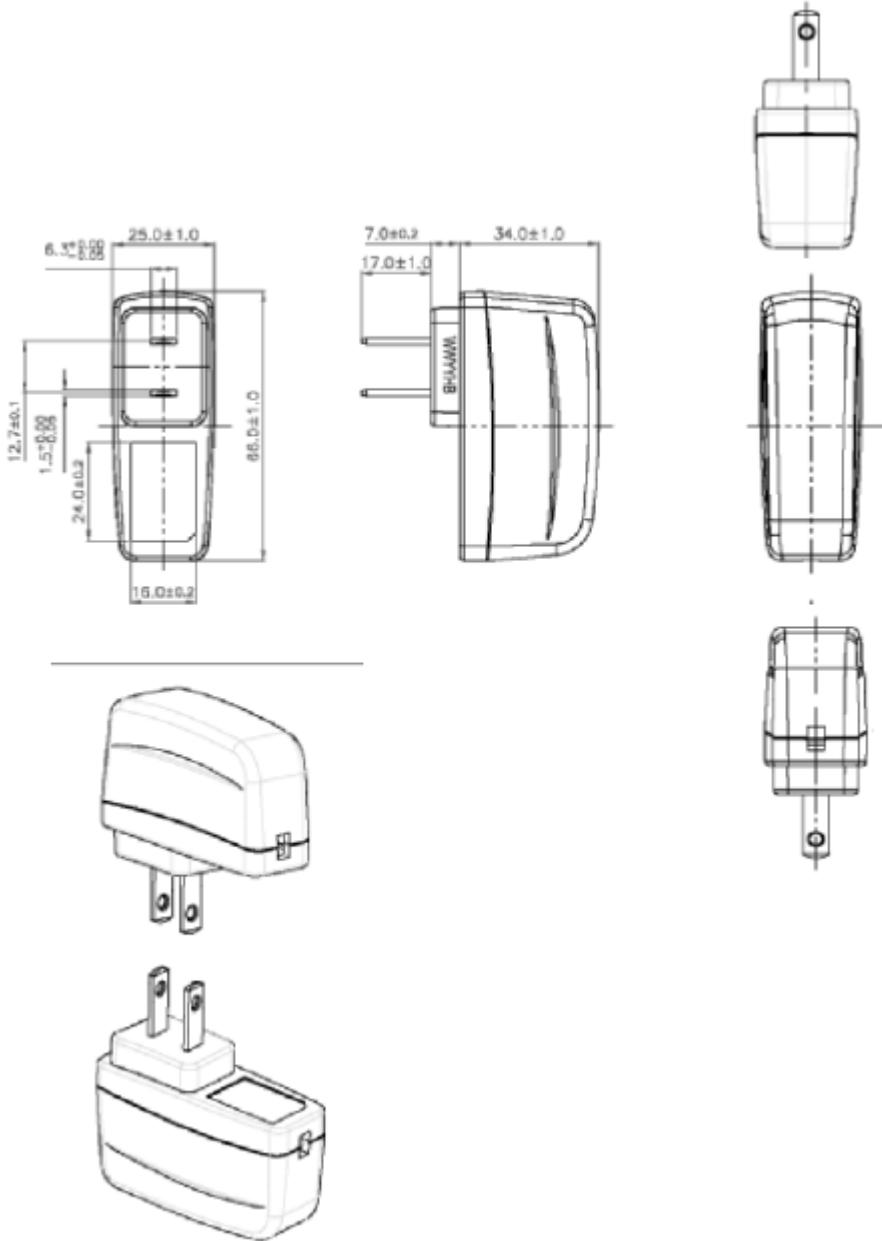
Type	Wall Plug-in
Technology	Regulated Switchmode AC-DC Power Supply AC Adaptor
Category	ITE Power Supply
Input Voltage	100-240V~, 50-60 Hz
I/P Amps (A)	0.2A
Wattage (W)	6.0
Vout Range (V)	5-12
Efficiency Level	V
Ingress Protection	
Size (mm)	

Delivering leading edge, innovative power solutions for more than 30 years....

Model:GT-83054-06VV-x.x-W2

August 8, 2020

ENCLOSURE



Delivering leading edge, innovative power solutions for more than **30** years....

Model:GT-83054-06VV-x.x-W2

August 8, 2020

RATING TABLE

Model Number	Voltage	Amps(A)	Watts(W)	RFQ
--------------	---------	---------	----------	-----

Model:GT-83054-06VV-x.x-W2

August 8, 2020

SPECIFICATIONS

A) ELECTRICAL SPECIFICATIONS:

1. Input Voltage: Specified 90-264 Vac, Nameplate rated: 100-240Vac
2. Input Frequency: Specified 47-63 Hz, Nameplate rated 50-60Hz
3. Output Power (Rated): 5 Watts max
4. Output Regulation: +/- 5% measured at the output connector
5. Line Voltage Regulation: +/- 2% typical measures at full load
6. Output Ripple (Vp-p): 100 mV measured at 20 MHz bandwidth with 0.1 uf ceramic capacitor in parallel with 10 uf electrolytic capacitor connected at the end of output connector at nominal line
7. Turn-On/Turn-Off Overshoot: 5% maximum, 1mS typical recovery time for 25% step load
8. Turn-On Delay: <2 second typical
9. Hold-Up Time: 5mS typical @ nominal input voltage & full load
10. Inrush Current: 30A typical @ 115Vac input ; 60A typical @ 230Vac input
11. Switching Frequency: 65 KHz typical

B) PROTECTION

1. Over-Voltage: Electronically Protected, unit will recover upon removal of fault
2. Short Circuit: Electronically Protected, unit will recover upon removal of fault
3. Input Protection: Input line fusing

C) SAFETY

1. Dielectric Withstand Voltage: 4242Vdc from primary to secondary
2. Touch Current: <0.25mA @ 240Vac input voltage

D) OTHER:

1. MTBF: 200,000 hours @ 25°C ambient temperature
2. Operating Temperature: 0°C to 40°C ambient temperature
3. Humidity: 0% to 90% relative humidity
4. Storage Temperature: -10°C to 80°C
5. ROHS 2: Complies with EU 2011/65/EU and China SJ/T 11363-2006

E) ENCLOSURE

1. Upper Housing: High impact plastic, 94V0 polycarbonate, non-vented
2. Lower Housing: High impact plastic, 94V0 polycarbonate, non-vented
3. Size: 66*41*25 +/-1.0mm

Delivering leading edge, innovative power solutions for more than **30** years....

Model:GT-83054-06VV-x.x-W2

August 8, 2020

DERATING CURVE

Delivering leading edge, innovative power solutions for more than **30** years....

Model:GT-83054-06VV-x.x-W2

August 8, 2020

INPUT CONFIGURATION

Description	NEMA 1-15P, North America Blades, Class II 2 Conductors
-------------	---

All NEMA 1 devices are two-wire non-grounding devices (hot-neutral) rated for 125 V maximum. NEMA 1-15P plugs have two parallel flat blades, 0.25 inches (6.35 mm) wide, 0.06 inches (1.524 mm) thick, 0.625-0.718 inches (15.875–18.256 mm) long, and spaced 0.5 inches (12.7 mm) apart.

Delivering leading edge, innovative power solutions for more than 30 years....

Model:GT-83054-06VV-x.x-W2

August 8, 2020

OUTPUT CONFIGURATION

Common output connector options:


 L Type (Coaxial
5.5x2.5mm plug)

 C Type (Coaxial
5.5x2.1mm plug)

 K Type (Coaxial
3.5x1.3mm plug)

 LL Type (5.5x2.5mm
Locking 760k type)

 CL Type (5.5x2.1mm
Locking S761k type)

 ML2 Type (Molex
housing 43025-0200)

 YL3 Type
(KPPX-3P)


YL4 Type (KPPX-4P)


 EJ1/2/3/4/5 (EIAJ
RC-5320A type
connectors)

 MSB Type (Micro
USB)

 USBC Type (USB
Type C)

 Inquire for custom
design

 For a comprehensive list of options, [click here](#)

Contact GlobTek for your specific requirements or custom solutions.

Delivering leading edge, innovative power solutions for more than **30** years....

Model:GT-83054-06VV-x.x-W2

August 8, 2020

Approvals

Logo	
------	--