

Delivering leading edge, innovative power solutions for more than 30 years....

Model:GT-83081-12VV-X.X-W2C

April 3, 2020

GT-83081-12VV-X.X-W2C

Information

Model Number

GT-83081-12VV-X.X-W2C

Description

GT-83081-12VV-X.X-W2C, ITE Power Supply, Wall Plug-in, Regulated Switchmode AC-DC Power Supply AC Adaptor, , Input Rating: 100-240V~, 50-60 Hz, China GR 2099 configuration: 2 pins, Class II, Output Rating: 12 Watts, Power rating with convection cooling (W) , 3.3~28V in 0.1V increments, Approvals: China RoHS; Double Insulation; GOST-R; RoHS; Ukraine; WEEE; Level VI; LPS 60950;

Model Picture



Agency Documents

<http://www.globtek.info/certs/GT-83081-W2Z/>

CE EC-Declaration

https://www.globtek.com/pdf/ec_declaration/a00a000000MEnZXEA1

RoHS/RoHS2 Declaration

https://www.globtek.com/pdf/rohs_cert/a00a000000MEnZXEA1

REACH Declaration

https://www.globtek.com/pdf/iso_certificates/REACH.pdf

Conflict Minerals Declaration

<https://www.globtek.com/pdf/conflict-minerals.pdf>

Delivering leading edge, innovative power solutions for more than **30** years....

Model:GT-83081-12VV-X.X-W2C

April 3, 2020

MODEL PARAMETERS

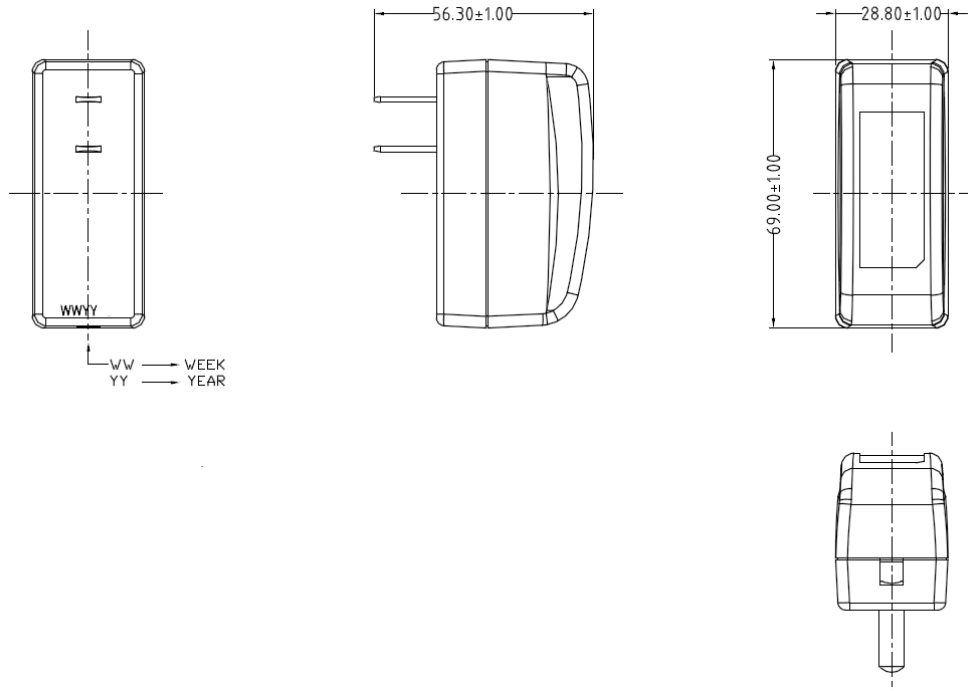
Type	Wall Plug-in
Technology	Regulated Switchmode AC-DC Power Supply AC Adaptor
Category	ITE Power Supply
Input Voltage	100-240V~, 50-60 Hz
I/P Amps (A)	0.5A
Wattage (W)	12.0
Vout Range (V)	3.3~28
Efficiency Level	V
Ingress Protection	IPX0
Size (mm)	69*28.8*40.3

Delivering leading edge, innovative power solutions for more than 30 years....

Model:GT-83081-12VV-X.X-W2C

April 3, 2020

ENCLOSURE



Delivering leading edge, innovative power solutions for more than **30** years....

Model:GT-83081-12VV-X.X-W2C

April 3, 2020

RATING TABLE

Model Number	Voltage	Amps(A)	Watts(W)	RFQ
GT-83081-0703.3-W2C	3.3 V	2	6.60	RFQ
GT-83081-1005-W2C	5 V	2	10.00	RFQ
GT-83081-0906-W2C	6 V	1.5	9.00	RFQ
GT-83081-0807.5-W2C	7.5 V	1	7.50	RFQ
GT-83081-0909-W2C	9 V	1	9.00	RFQ
GT-83081-1212-W2C	12 V	1	12.00	RFQ
GT-83081-1213.3-W2C	13.3 V	0.9	11.97	RFQ
GT-83081-1215-W2C	15 V	0.8	12.00	RFQ
GT-83081-1028-W2C	28 V	0.35	9.80	RFQ

Model:GT-83081-12VV-X.X-W2C

April 3, 2020

SPECIFICATIONS

A) ELECTRICAL SPECIFICATIONS:

01. Input Voltage: Specified 90-264 Vac, Nameplate rated: 100-240Vac
02. Input Frequency: Specified 47-63 Hz, Nameplate rated 50-60Hz
03. Output Regulation: +/- 5%
04. Ripple and Noise (Vp-p): 100 mVp-p maximum, At 20 MHz, and output parallel with 0.1uF & 10uF capacitors to ground. Temperature at 25 °C, and nominal input voltage
05. Average Efficiency: 75.95% minimum, At 115VAC/230VAC input voltage meet efficiency level: V
06. Turn-ON Delay: 3 Seconds maximum at nominal input voltage
07. Rise Time: 100mS maximum at nominal input voltage
08. Switching Frequency: 50 KHz typical

B) PROTECTION

01. Over-Voltage: protected
02. Over current protection: 2.2A maximum with auto-recovery function
03. Short Circuit: Short circuit protection is to be included in the construction of the adaptor. The adaptor is designed to withstand continuous current of a short circuit on the output. The adaptor will be short circuit tolerant for an indefinite period.

C) SAFETY

01. Dielectric Withstand Voltage: Primary To Secondary: 3000VAC 10mA 1minute or 4242VDC 10mA 1minute
02. Leakage Current: 0.25mA maximum, at nominal AC input voltage and frequency

D) OTHER:

01. MTBF: 200,000 Hours @ 25°C ambient temperature
02. Operating Temperature: 0°C to 40°C ambient temperature
03. Humidity: 0% to 90% relative humidity
04. Storage Temperature: -10°C to 80°C
05. Cooling: natural convection cooling
06. ROHS 2: Complies with EU 2011/65/EU and China SJ/T 11363-2006

E) ENCLOSURE

01. Housing: High impact plastic, 94V0 polycarbonate, non-vented
02. Markings: Label and/or Pad Printed and/or Molded in the case

Delivering leading edge, innovative power solutions for more than **30** years....

Model:GT-83081-12VV-X.X-W2C

April 3, 2020

DERATING CURVE

Delivering leading edge, innovative power solutions for more than 30 years....

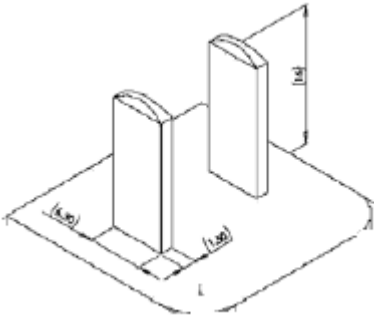
Model:GT-83081-12VV-X.X-W2C

April 3, 2020

INPUT CONFIGURATION

Description China GR 2099 configuration: 2 pins, Class II

The standard for Chinese plugs and sockets is set out in GB 2099.12008 and GB 10022008. As part of China's commitment for entry into the WTO, the new CPCS (Compulsory Product Certification System) has been introduced, and compliant Chinese plugs have been awarded the CCC Mark by this system. The plug is two conductor, non-earthed, rated at 10 A, 250 V and used for Class II applications. The Australian plug fits, though the pins on the Chinese plug are thinner and 1 mm (0.039 in) longer. China also uses American/Japanese NEMA 115 sockets and plugs for Class-II appliances. The voltage at a Chinese socket of any type is 220.



Delivering leading edge, innovative power solutions for more than 30 years....

Model:GT-83081-12VV-X.X-W2C

April 3, 2020

OUTPUT CONFIGURATION

Common output connector options:


 L Type (Coaxial
5.5x2.5mm plug)

 C Type (Coaxial
5.5x2.1mm plug)

 K Type (Coaxial
3.5x1.3mm plug)

 LL Type (5.5x2.5mm
Locking 760k type)

 CL Type (5.5x2.1mm
Locking S761k type)

 ML2 Type (Molex
housing 43025-0200)

 YL3 Type
(KPPX-3P)


YL4 Type (KPPX-4P)


 EJ1/2/3/4/5 (EIAJ
RC-5320A type
connectors)

 MSB Type (Micro
USB)

 USBC Type (USB
Type C)

 Inquire for custom
design

 For a comprehensive list of options, [click here](#)








Contact GlobTek for your specific requirements or custom solutions.

Delivering leading edge, innovative power solutions for more than 30 years....

Model:GT-83081-12VV-X.X-W2C

April 3, 2020

Approvals

Logo	Description
	Attention Mark / Refer to operating manual for operating and service instructions
	CHINA SJ/T 11364-2014, China RoHS Chart: http://en.globtek.com/globtek-rohs.php
	GOST-R mark for Russia(Document: http://www.globtek.com/html/iso_certificates/GT_GOST-R.pdf). 03/15/2015. Due to lack of demand, GlobTek will not be renewing it's GOST certification. Please contact your sales engineer for pricing on EAC.
	Indoor Use Only - Mark is on the label or Molded in the case
	Efficiency: complies to section 301 of Energy Independence and Security Act (EISA) complies with Energy Star tier 2 (North America), ECP tier 2 (China), MEPS tier 2 (Australia), Code of Conduct (Europe)
LPS	Limited Power Source 60950
RoHS	Specifications of directive 2011/65/EU Annex VI (ROHS-2) with amendment 2015/863-EU (ROHS-3) http://www.ce-mark.com/Rohs%20final.pdf
 1Q276	Ukraine UKRSepro (Document: www.globtek.com/html/iso_certificates/GT_Ukraine.pdf)
	WEEE: Complies with EU 2012/19/EU (http://ec.europa.eu/environment/waste/weee/index_en.htm) Mark is on the label or Molded in the case